

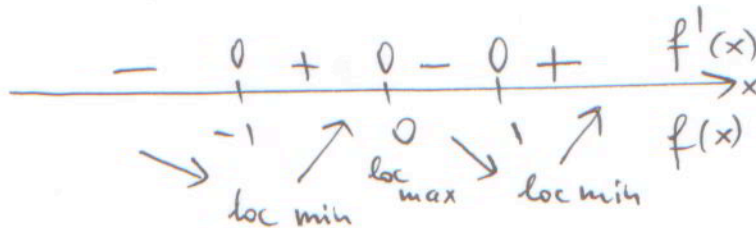
Name _____

Problem 1 (10pt). Let $f(x) = x^4 - 2x^2$.

a) Find all the extreme points of $f(x)$ and determine their type (local maximum or local minimum)

$$f'(x) = 4x^3 - 4x = 4x(x-1)(x+1)$$

critical points: $x = 0, x = \pm 1$



$x = 0$ is a loc max
 $x = \pm 1$ are loc min

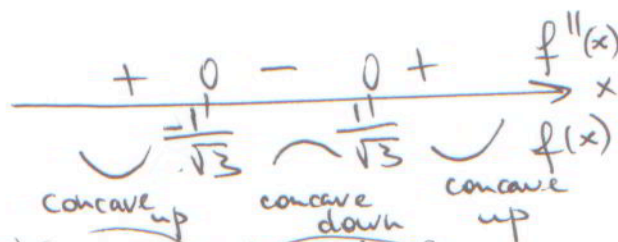
b) Where is $f(x)$ increasing or decreasing?

on $[-1, 0] \cup [1, \infty)$

on $(-\infty, -1] \cup [0, 1]$

c) Find all the inflection points.

$$f''(x) = 12x^2 - 4 = 4(3x^2 - 1)$$



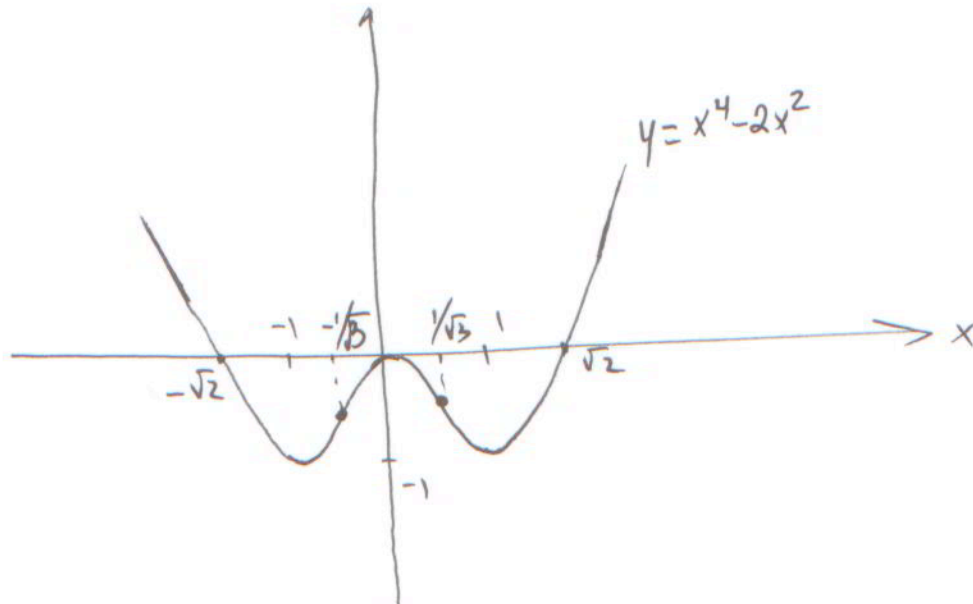
$x = \pm \frac{1}{\sqrt{3}}$ are
 inflection pts

d) Where is $f(x)$ concave up or concave down?

on $(-\infty, -\frac{1}{\sqrt{3}}] \cup [\frac{1}{\sqrt{3}}, \infty)$

on $[-\frac{1}{\sqrt{3}}, \frac{1}{\sqrt{3}}]$

Name _____

e) Use the information above to draw the graph of $f(x)$.

$$f(0) = 0$$

$$f(\pm 1) = 1 - 2 = -1$$

f is even

$$f(x) = 0 \Leftrightarrow x^4 - 2x^2 = 0$$

$$x^2(x^2 - 2) = 0$$

$$\text{zeros of } f: x = 0, x = \pm\sqrt{2}$$

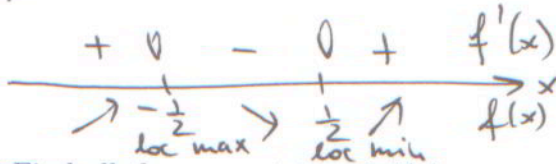
Name _____

Problem 2 (15pt). Let $f(x) = x - \arctan 2x$.

a) Find all the extreme points of $f(x)$.

$$f'(x) = 1 - \frac{2}{1+4x^2} = \frac{4x^2-1}{1+4x^2}$$

$$f'(x) = 0 \Leftrightarrow 4x^2 - 1 = 0 \Leftrightarrow x = \pm \frac{1}{2}$$



$x = -\frac{1}{2}$ is a loc max
 $x = \frac{1}{2}$ is a loc min

b) Find all the asymptotes of $f(x)$.

No vertical asymptotes, no horizontal asymptotes.

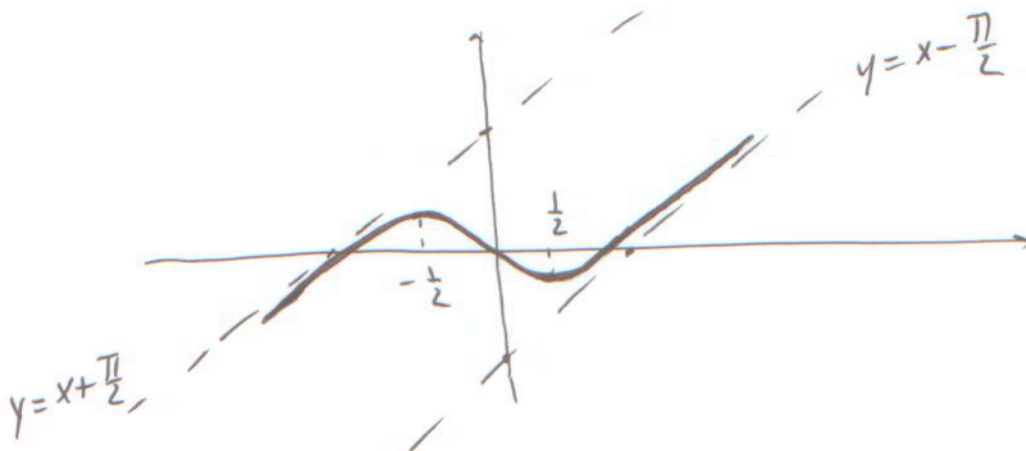
Oblique asymptotes: $y = kx + b$

$$k = \lim_{x \rightarrow \pm\infty} \frac{f(x)}{x} = \lim_{x \rightarrow \pm\infty} \left(1 - \frac{\arctan 2x}{x}\right) = 1$$

$$b = \lim_{x \rightarrow \pm\infty} (f(x) - kx) = \lim_{x \rightarrow \pm\infty} (x - \arctan 2x - x) = -\lim_{x \rightarrow \pm\infty} (\arctan 2x) = \mp \frac{\pi}{2}$$

$y = x - \frac{\pi}{2}$ is an oblique asymptote at $+\infty$, $y = x + \frac{\pi}{2}$ is an oblique as. at $-\infty$

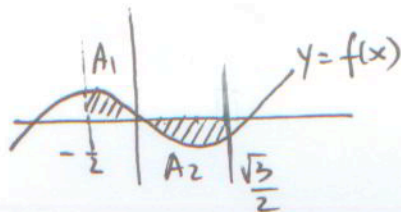
c) Draw the graph of $f(x)$.



d) Use your picture above to explain the geometrical meaning of the integral

$$\int_{-1/2}^{\sqrt{3}/2} (x - \arctan 2x) dx = A_1 - A_2, \text{ where } A_1, A_2 \text{ are shadowed areas}$$

$$f\left(\frac{\sqrt{3}}{2}\right) = \frac{\sqrt{3}}{2} - \arctan \sqrt{3} = \frac{\sqrt{3}}{2} - \frac{\pi}{3} < 0$$



Name _____

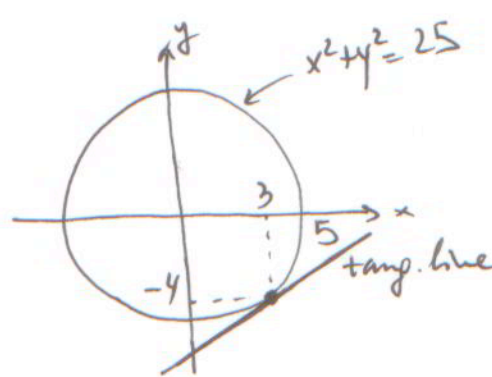
Problem 3 (10pt). Let $x^2 + y^2 = 25$. Find the derivatives $\frac{dy}{dx}$ and $\frac{d^2y}{dx^2}$ at the point $(x, y) = (3, -4)$ and explain their geometrical meaning.

$\frac{d}{dx}$

$$x^2 + y^2 = 25$$

$$2x + 2y \frac{dy}{dx} = 0 \Rightarrow \frac{dy}{dx} = -\frac{x}{y}$$

$\frac{dy}{dx} \Big|_{\substack{x=3 \\ y=-4}} = -\frac{3}{-4} = \frac{3}{4}$ is the slope of the tangent line to the circle $x^2 + y^2 = 25$ at pt $(3, -4)$



$\frac{d^2y}{dx^2}$

OR $\frac{d}{dx}$

$$\frac{d^2y}{dx^2} = -\frac{y - xy'}{y^2}$$

$$\frac{d^2y}{dx^2} \Big|_{\substack{x=3 \\ y=-4}} = -\frac{-4 - 3 \cdot \frac{3}{4}}{16} = \frac{25}{64}$$

$\frac{d}{dx}$

$$2 + 2 \frac{dy}{dx} \cdot \frac{dy}{dx} + 2y \frac{d^2y}{dx^2} = 0$$

$$1 + \left(\frac{dy}{dx}\right)^2 + y \frac{d^2y}{dx^2} = 0$$

At $x=3, y=-4,$

$$1 + \left(\frac{dy}{dx} \Big|_{\substack{x=3 \\ y=-4}}\right)^2 + (-4) \cdot \frac{d^2y}{dx^2} \Big|_{\substack{x=3 \\ y=-4}} = 0$$

$$\frac{d^2y}{dx^2} \Big|_{\substack{x=3 \\ y=-4}} = \frac{25}{64} > 0 \Rightarrow \text{the curve is concave up near pt } (3, -4)$$

Name _____

Problem 4 (20pt). Calculate the following limits:

$$\text{a) } \lim_{x \rightarrow 0} \frac{e^x - \cos x}{\sin x} = \left[\frac{1-1}{0} = \frac{0}{0} \right] = \lim_{x \rightarrow 0} \frac{e^x + \sin x}{\cos x} = \frac{e^0 + 0}{1} = \boxed{1}$$

$$\text{b) } \lim_{x \rightarrow \infty} \left(1 + \frac{2}{x}\right)^x = \lim_{x \rightarrow \infty} y, \text{ where}$$

$$y = \left(1 + \frac{2}{x}\right)^x$$

$$\ln y = x \ln \left(1 + \frac{2}{x}\right) = \frac{\ln \left(1 + \frac{2}{x}\right)}{\frac{1}{x}}$$

$$\lim_{x \rightarrow \infty} \frac{\ln \left(1 + \frac{2}{x}\right)}{\frac{1}{x}} = \left[\frac{0}{0} \right] = \lim_{x \rightarrow \infty} \frac{\frac{-\frac{2}{x^2}}{1 + \frac{2}{x}}}{-\frac{1}{x^2}} = \lim_{x \rightarrow \infty} \frac{2}{1 + \frac{2}{x}} = 2$$

$$y = e^{\lim_{x \rightarrow \infty} \ln y} = e^2 = \boxed{e^2}$$

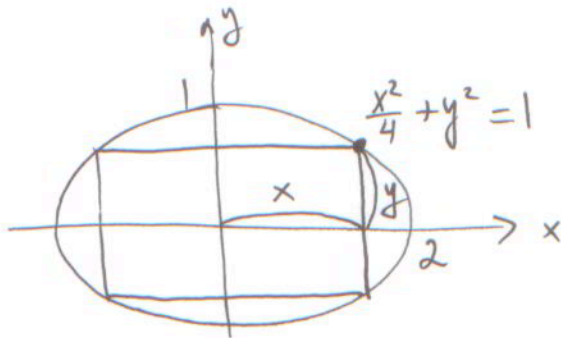
$$\text{c) } \lim_{x \rightarrow 0} \frac{\sin 2x}{\arcsin 4x} = \left[\frac{0}{0} \right] =$$

$$\lim_{x \rightarrow 0} \frac{2 \cos 2x}{4 \sqrt{1-16x^2}} = \frac{2}{4} = \boxed{\frac{1}{2}}$$

$$\text{d) } \lim_{x \rightarrow \infty} (\sqrt{x+1} - \sqrt{x}) = \lim_{x \rightarrow \infty} \frac{(\sqrt{x+1} - \sqrt{x})(\sqrt{x+1} + \sqrt{x})}{\sqrt{x+1} + \sqrt{x}} = \lim_{x \rightarrow \infty} \frac{1}{\sqrt{x+1} + \sqrt{x}} = \boxed{0}$$

Name _____

Problem 5 (20pt). Find the largest possible area of a rectangle inscribed in the ellipse $\frac{x^2}{4} + y^2 = 1$.



$$\Rightarrow y = \sqrt{1 - \frac{x^2}{4}} = \frac{1}{2} \sqrt{4 - x^2}$$

$$\text{Area} = 2x \cdot 2y = 2x \sqrt{4 - x^2} =$$

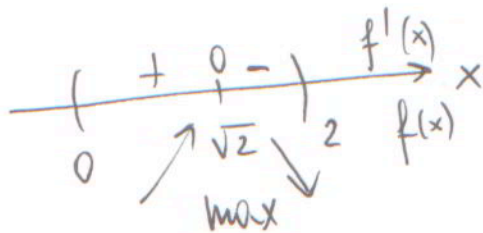
$$2\sqrt{4x^2 - x^4}$$

$$A(x) = 2\sqrt{4x^2 - x^4}$$

Search for $\max_{0 < x < 2} f(x)$, where

$$f(x) = 4x^2 - x^4$$

$$f'(x) = 8x - 4x^3 = 4x(2 - x^2)$$



$$f(\sqrt{2}) = 4 \cdot 2 - 4 = 4$$

$$\max_{(0,2)} f(x) = 4 \quad \text{at } x = \sqrt{2} \Rightarrow$$

$$\max_{(0,2)} A(x) = 2 \cdot \sqrt{4} = 4 \quad \text{at } x = \sqrt{2}.$$

Answer: the largest area is $\boxed{4}$.

Name _____

Problem 6 (15pt). Evaluate the following integrals:

$$\text{a) } \int_1^e \frac{\ln^2 x}{x} dx = \left[\begin{array}{l} u = \ln x \\ du = \frac{1}{x} dx \\ x=1 \Rightarrow u=0 \\ x=e \Rightarrow u=1 \end{array} \right] = \int_0^1 u^2 du = \frac{u^3}{3} \Big|_0^1 = \boxed{\frac{1}{3}}$$

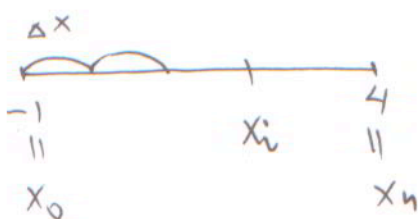
$$\text{b) } \int \cos^2 3x dx = \int \frac{1 + \cos 6x}{2} dx = \frac{1}{2}x + \frac{1}{12} \sin 6x + C$$

$$\text{c) } \int_{-1}^1 \frac{x^3}{\sqrt{x^2+1}} dx = 0 \quad \text{since } \frac{x^3}{\sqrt{x^2+1}} \text{ is odd and}$$

$[-1, 1]$ is symmetric

Name _____

Problem 7 (10pt). Express the integral $\int_{-1}^4 (4 - x^2) dx$ as a limit of a Riemann sum. Show on a picture the lower Riemann sum and the upper Riemann sum for $n = 5$.

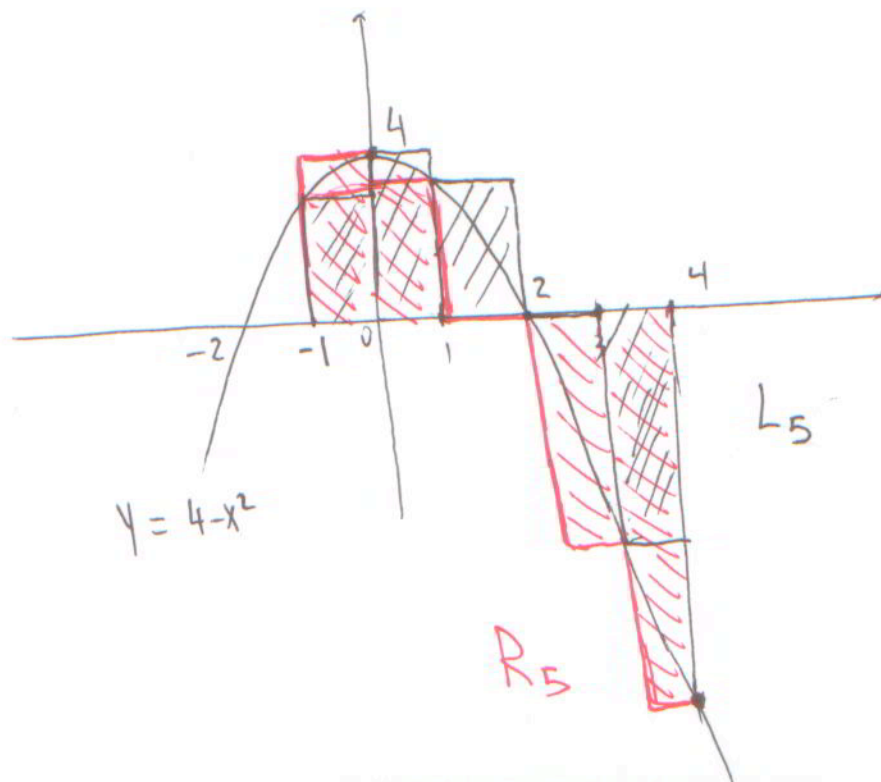


$$\Delta x = \frac{4 - (-1)}{n} = \frac{5}{n}$$

$$x_i = x_0 + i\Delta x = -1 + i\frac{5}{n}$$

$$\int_a^b f(x) dx = \lim_{n \rightarrow \infty} \sum_{i=1}^n f(x_i) \Delta x$$

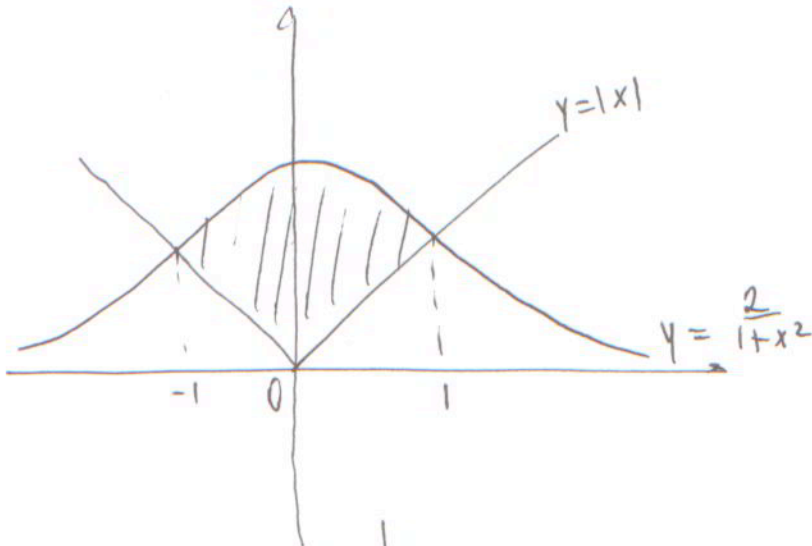
$$\int_{-1}^4 (4 - x^2) dx = \lim_{n \rightarrow \infty} \sum_{i=1}^n \left(4 - \left(-1 + \frac{5i}{n}\right)^2 \right) \cdot \frac{5}{n}$$



Name _____

Problem 8 (This is an extra problem, 15pt. No partial credit.)

Find the area of the region bounded by the curves $y = \frac{2}{1+x^2}$ and $y = |x|$.



$$\text{Area} = 2 \int_0^1 \left(\frac{2}{1+x^2} - x \right) dx = 2 \left[2 \arctan x - \frac{x^2}{2} \right]_0^1 =$$

$$= 2 \left[2 \cdot \frac{\pi}{4} - \frac{1}{2} \right] = \boxed{\pi - 1}$$